

Luna HD 24 Pro

User Guide V1.0



ZOOMAX Technology Co., Limited

9F, Building D, Paradise Software Park, No.3 Xidoumen Road, Xihu District,
Hangzhou, China 310012

Copyright© 2019 ZOOMAX Technology Co., Limited. All Rights Reserved.
ZOOMAX® is a trademark of ZOOMAX Technology Co., Limited in the United States and other countries. Information in this document is subject to change without notice. No part of this publication may be reproduced or transmitted in any forms or by any means, electronic or mechanical, for any purpose, without the express written permission of ZOOMAX.

CONTENT

1. Product introduction	1
1.1 What's in the box?	1
1.2 Product Structure	2
2. Basic function	4
2.1 Basic operation	4
2.3 Zoom in/out	6
2.4 Switch color modes	7
2.5 Find function	7
2.6 Contrast level setting	8
2.7 Screen brightness setting	8
3. Advanced mode	8
3.1 Activate advanced mode	9
3.2 Exit advanced mode	9
3.3 Freeze	9
3.4 Reading line and reading mask	10

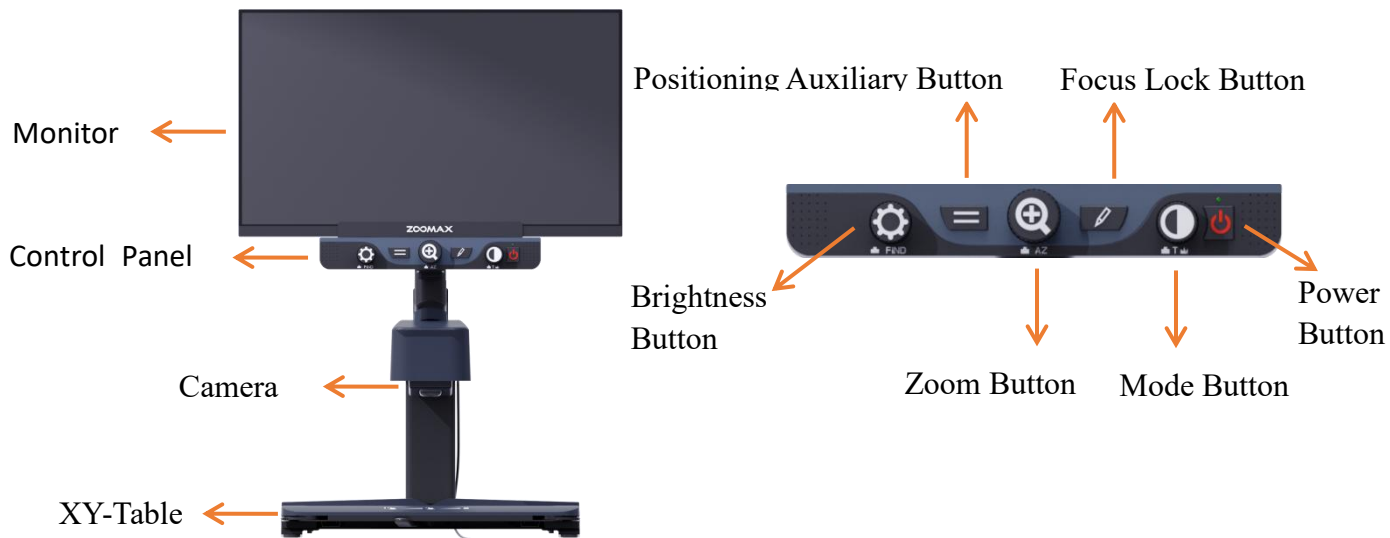
3.5 LED light brightness setting	11
3.6 Restore factory settings	11
3.7 Demonstration mode	11
3.8 Focus lock	12
3.9 Software upgrade	12
3.10 Full mode and Lite mode	13
3.11 Refresh rate	14
3.12 Sound prompt setting	14
3.13 Frozen image panning	14
4. Warnings and precautions	15
5. Technical specifications	16

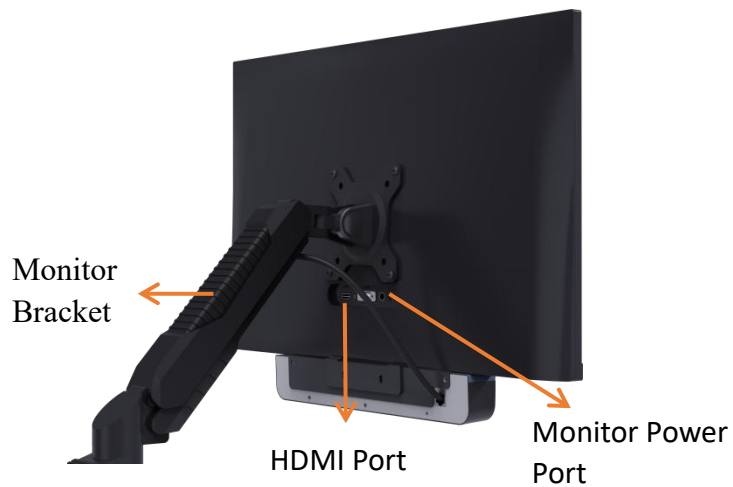
1. Product introduction

1.1 What's in the box?

- Luna HD 24 Pro
- User manual
- Screen cleaning cloth
- Adapter
- Reminder card
- Desiccant

1.2 Product Structure





2. Basic function

2.1 Basic operation

- Adjust the display at multiple angles.



The screen can be rotated to 45° up and 90° down.

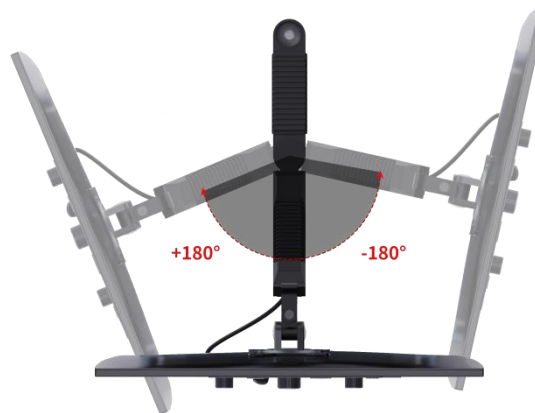


The screen can be rotated to 90° both left and right.

- Adjust the monitor bracket at multiple angles.



The bracket can be rotated to 45° up and 90° down.



The bracket can be rotated to 90° both left and right.

2.2 Power on/off

- Power on: Short press the power button, the green light is on shortly with a "Beep" sound. It comes with boot screen. You enter into live view in about 6 seconds when seeing the boot screen.
- Power off: Press and hold the power button for 3 seconds, the unit will shut down when you see the indicator light turns red and hear a "Beep" sound.

2.3 Zoom in/out

- Turn the knob of the zoom button to the right to zoom in and to the left to zoom out; You hear a "Beep" sound when it reaches the maximum or minimum magnification.
- To set the favorite magnification memory: In live view mode, press and hold the Zoom button for 3 seconds, the icon of successful memory appears on the display and you hear a "Beep" sound. It means the existing magnification is memorized.
When the favorite magnification is set, short press the Zoom button in any magnification will bring you to your favorite magnification.

2.4 Switch color modes

- Provides true color + 4 high contrast colors: white on black, black on white, yellow on black and black on yellow. The Default is true color.
- Rotate the mode button to cycle through the color modes.
- Quick return to true color: Short press the mode button in any color mode.
- Switch between full mode & lite mode: Please refer to 3.10.

2.5 Find function

- In any magnification in real-time mode, press and hold the brightness button it minimizes the existing image automatically and you see a red highlighted frame appears on the display. Move any part of the image you wish to view into the red frame and release the brightness button. The magnification of the image in the red frame goes to the original magnifier before you do the setting. Find function helps you to view the details of the image clearer.

2.6 Contrast level setting

Your best contrast performance is varies when reading material or external lighting condition varies. You could set your favorite contrast if needed.

- The default is 50.

- To set a favorite contrast level: In the real-time mode, make sure you are in high contrast color mode, you press and hold the mode button while rotating the Zoom button to adjust the contrast. Release the mode button and stop rotating the Zoom button when you confirm your favorite contrast level.

2.7 Screen brightness setting

-Turn the brightness button to the left to decrease the screen brightness and to the right to increase the screen brightness. [Default is 50]

3. Advanced mode

More auxiliary functions can be used by activating the advanced mode, and some basic functions are still retained in the advanced mode, including zoom-in/zoom-out, color mode switching, find function and contrast setting.

3.1 Activate advanced mode

- Press and hold the positioning auxiliary button and the focus lock button for 3 seconds simultaneously, then release the buttons when hearing a "Beep" sound. The Advanced Mode is activated when you see "Advanced Features are Enabled" appears on the display.

3.2 Exit advanced mode

- Press and hold the positioning auxiliary button and the focus lock button for 3 seconds simultaneously and then release all buttons when hearing the "Beep" sound. The Advanced Mode is exit when you see the software version information appears on the display.

3.3 Freeze

- To freeze image: In real-time mode, press and hold the focus lock button for 3 seconds, the

image on the display will be frozen when you hear a "Beep" sound. The freeze icon appears in the upper right corner of the screen. Then you can release the button. The frozen image can be zoomed in/out, color mode switched, reading lines/mask adjusted.

- Exit Freeze function: Short press the focus button to exit the frozen image page and enter the real-time mode.

3.4 Reading line and reading mask

- Provides 7 modes: Normal mode (without using any reading line), one horizontal line, two horizontal lines, one vertical line, two vertical lines, horizontal mask and vertical mask. [Default is Normal mode]

- Switch the reading line mode: Short press the positioning auxiliary button, and cycle to switch and select the reading line.

- Adjust the position of the reading line: Rotate the brightness button to move the position of reading line up, down, left and right.

- Adjust the spacing of reading lines: press and hold the positioning auxiliary button for 3 seconds, and Release the button when hearing a "Beep" sound. Rotate the brightness button

to adjust the spacing between the reading lines or of the horizontal/vertical mask area. Long press the positioning auxiliary button for 3 seconds to exit.

3.5 LED light brightness setting

-There are 5 levels of LED, and the default is level 5.

- Press and hold the positioning auxiliary button and rotate the brightness button; Turn left to decrease and turn right to increase the brightness.

3.6 Restore factory settings

Press and hold the brightness button and color mode button for 10 seconds simultaneously and release all buttons when hearing a "Beep" sound. The system will be restored to factory settings.

3.7 Demonstration mode

This function mainly demonstrates the basic functions of Luna HD 24 Pro.

- Activate the demonstration mode: in the real-time mode with true color, press and hold the

positioning auxiliary button for 10 seconds, release it when hearing a "Beep" sound. You will find a demonstration video playing automatically which means the demonstration mode is being activated.

- Exit the demonstration mode: in the demonstration mode, short press the power button to exit.

3.8 Focus lock

In the real-time mode, short press the focus lock button, and the focus lock icon will be displayed in the upper right corner of the screen. It means the existing focusing distance is being locked so that you won't experience another focusing process when turning pages or changing another reading material.

3.9 Software upgrade

Software upgrade is for dealer use only. The End user is not encouraged to do it. The Dealer should contact Zoomax sales person or email support@zoomax.com to get a solution.

3.10 Full mode and Lite mode

Full modes include true color and 20 kinds of high contrast colors: white on black, black on white, yellow on black, black on yellow, white on blue and blue on white, green on black, yellow on blue, blue on yellow, black on purple, purple on black, light blue on black, black on light blue, orange on black, black on orange, red on white, white on red, red on black, black on red.

- Switch to Lite mode(5 color modes): Press and hold the color mode button for 3 seconds, and then release it when hearing a "Beep" sound. Lite mode icon appears in the upper left corner of the screen and will hide automatically in 2 seconds.
- Switch to Full mode (21 color modes): Long press the color mode button for 3 seconds. Release it when hearing a "Beep" sound. The Full mode icon appears in the upper left corner of the screen and will hide automatically in 2 seconds.
- The default is Lite mode.

3.11 Refresh rate

- The refresh rate is 60HZ by default.
- Press the positioning auxiliary button and the focus lock button simultaneously to switch between 50HZ and 60HZ.

3.12 Sound prompt setting

- The default is the maximum volume.
- Press and hold the positioning auxiliary button and rotate the zoom button; Turn left to decrease and turn right to increase the volume.

3.13 Frozen image panning

- Press Zoom in button to magnify the image to your favorite magnification. Press and hold the brightness button and rotate the Zoom in/out button to move the image up/down. To move it left/right, please press and hold the bright button and rotate the Color mode button.

4. Warnings and precautions

- Hot swap the HDMI cable connecting between the camera box and the monitor is restricted.
- Please keep your hands dry when plugging and unplugging the power supply.
- Please do not use any power adapter other than the original one.
- Please do not remove the product label, which contains relevant information such as product specifications, models and serial numbers.
- When opening the package for the first time, please confirm you find all accessories and the product is in good condition the product is damaged. Any missing parts or damage issue should be reported to your seller immediately.
- Please keep the machine dry and dustproof, and avoid humidity and high temperature.
- Do not hit, vibrate, squeeze or fall violently.
- Keep the lens and close-up lens clean. Please use the cleaning cloth Zoomax provides when

you need to clean them.

- Please slide the XY-Table gently to prevent damage.

5. Technical specifications

- Magnification: 2.5x-70x

- Color mode: True color + 20 kinds of color mode

- Writing height: Approx. 17.5cm

- Camera: Optical zoom lens, auto-focusing with resolution of 1280*720

- Screen: 24 - inch monitor with resolution of 1920*1080

- Weight: Approx. 15Kg

- Power adapter: Input 100-240V, Output 19V/3A

ZOOMAX TECHNOLOGY CO., LIMITED

9F, Building D, Paradise Software Park,

No.3 Xidoumen Road, Xihu District, Hangzhou, Zhejiang Province, 310012, China

Tel: +86-571-87006308

Fax: +86-571-87397220

Email: support@zoomax.com

Visit us at: www.zoomax.com



Zoom Your Vision, Max Your Life